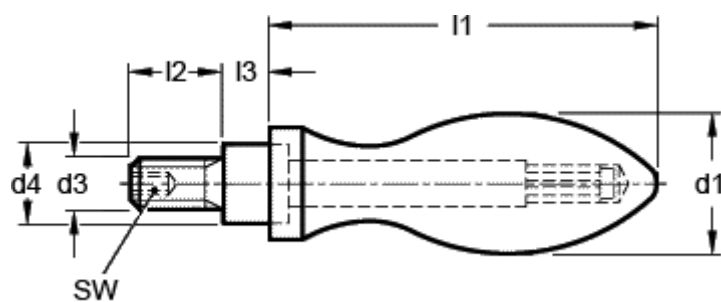


Article number: 20110016

Description: E+G Revolving handle  
DIN 98-ST-16-E

## Measures

---



d1	= 16
d3	= M6
d4 h13	= 10
l1 approx.	= 49
l2	= 11
l3	= 5.5
SW	= 3